

## LEDDL125-8WW • LEDDL125-16XX • LEDDL125-25XX

### LED COMMERCIAL DOWNLIGHTS

This dimmable residential and commercial LED downlight range covers most requirements for office, retail and residential applications. These downlights are extremely robust and reliable, coming with a dimmable leading or trailing edge driver, and are designed to provide minimal glare. Their compact design means they can be installed into the tightest of cavity spaces and thermal management ensures maximum light output for an extended period of time. Standard surround faceplates are available in white, silver and black.

#### FEATURES

- Reduce Energy Costs by up to 50%
- IC Rating – abutted & covered
- External PF constant current driver
- Only 20°C heat gain on heat sink
- 3-Year Limited Warranty



#### TECHNICAL SPECIFICATIONS

Fixture/Part No.	LEDDL125-8	LEDDL125-16	LEDDL125-25
Power Consumption	8W	16W	25W
Input Voltage/ Output Current	200-240 V AC, 50/60Hz		
Fixture Lumens (lm)	624 (3000K)	1248 (3000K) 1328 (4000K) 1360 (5000K)	1950 (3000K) 2075 (4000K) 2125 (5000K)
LED Lighting Efficiency	85lm/W		
Colour Temperature	(WW) Warm White 3000K (NW) Natural White 4000K (PW) Pure White 5000K		
Colour Rendering (Ra)	>83		
Power Factor	>0.95		
IP Rating	IP44 front face, IP20 driver		
Lifespan	35,000 hours		
LED	SAMSUNG LM80, L70		
Eco-friendly	ROHS		
Materials	Oxidised Aluminium, High Quality PMMA		
Driver	Dimmable – leading or trailing edge. Short circuit protection		
Working Temperature	-20°C to 50°C		
Dimensions	145mm Faceplate, 125mm Cutout		

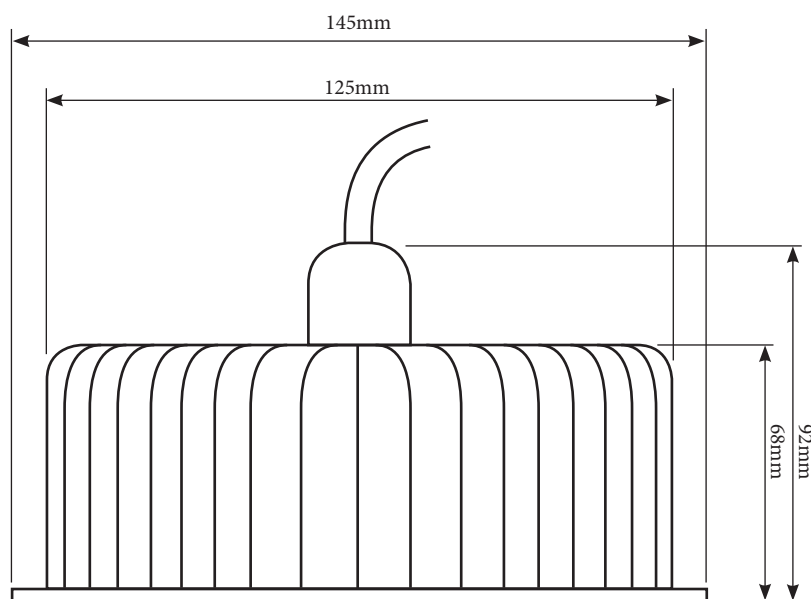
Product Codes	Description
LEDDL125-8WW-WHITE	8W, Warm White (3000K) - White faceplate
LEDDL125-8WW-BLACK	8W, Warm White (3000K) - Black faceplate
LEDDL125-8WW-SILVER	8W, Warm White (3000K) - Silver faceplate
LEDDL125-16WW-WHITE	16W, Warm White (3000K) - White faceplate
LEDDL125-16NW-WHITE	16W, Natural White (4000K) - White faceplate
LEDDL125-16PW-WHITE	16W, Pure White (5000K) - White faceplate
LEDDL125-16WW-BLACK	16W, Warm White (3000K) - Black faceplate
LEDDL125-16NW-BLACK	16W, Natural White (4000K) - Black faceplate
LEDDL125-16PW-BLACK	16W, Pure White (5000K) - Black faceplate
LEDDL125-16WW-SILVER	16W, Warm White (3000K) - Silver faceplate
LEDDL125-16NW-SILVER	16W, Natural White (4000K) - Silver faceplate
LEDDL125-16PW-SILVER	16W, Pure White (5000K) - Silver faceplate
LEDDL125-25WW-WHITE	25W, Warm White (3000K) - White faceplate
LEDDL125-25NW-WHITE	25W, Natural White (4000K) - White faceplate
LEDDL125-25PW-WHITE	25W, Pure White (5000K) - White faceplate
LEDDL125-25WW-BLACK	25W, Warm White (3000K) - Black faceplate
LEDDL125-25NW-BLACK	25W, Natural White (4000K) - Black faceplate
LEDDL125-25PW-BLACK	25W, Pure White (5000K) - Black faceplate
LEDDL125-25WW-SILVER	25W, Warm White (3000K) - Silver faceplate
LEDDL125-25NW-SILVER	25W, Natural White (4000K) - Silver faceplate
LEDDL125-25PW-SILVER	25W, Pure White (5000K) - Silver faceplate

\* This rating is for downlights only, the driver is excluded. It is recommended the driver is positioned on the closest ceiling joist, in free air with good ventilation

**PRODUCT IMAGES**



**DIMENSIONS**



78 Cryers Road  
East Tamaki  
Auckland.  
NEW ZEALAND  
phone: 64 9 272 5619